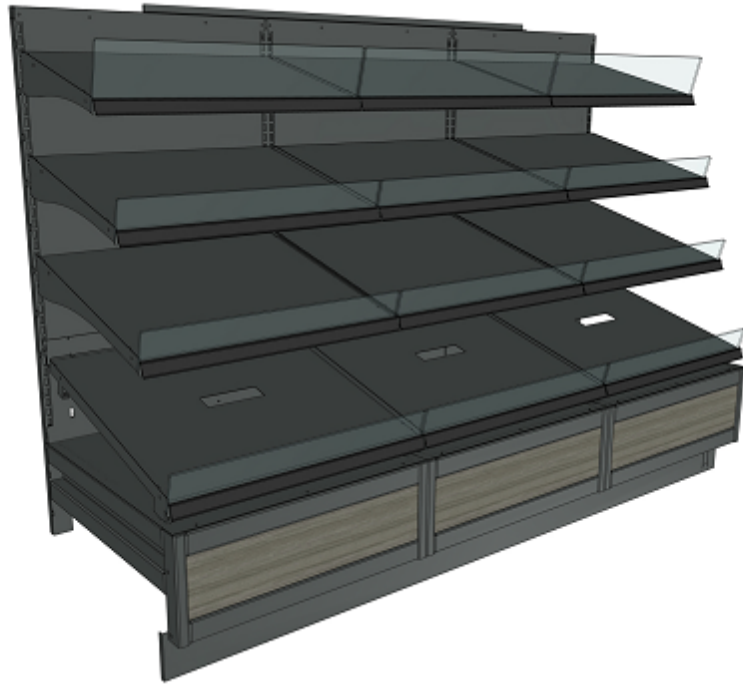


Bread - 78" Half Side Bread Module - Portico Teak - Bakery Of The Future

Models

SHS7854.7981



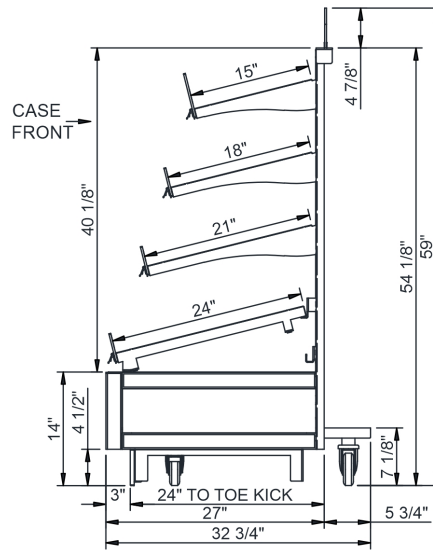
Features	Standard	Options
EXTERIOR COLOR	<input type="checkbox"/> Laminated (Portico Teak)	
INTERIOR COLOR	<input type="checkbox"/> Painted (Traffic Gray Textured)	
TRIM COLOR	<input type="checkbox"/> Painted (Traffic Gray Textured)	
BASE	<input type="checkbox"/> Straight base	
BASE SUPPORT	<input type="checkbox"/> Casters	
DECK	<input type="checkbox"/> Flat	
END PANEL LEFT	<input type="checkbox"/> None	<input type="checkbox"/> Full end panel (Portico Teak)
END PANEL RIGHT	<input type="checkbox"/> None	<input type="checkbox"/> Full end panel (Portico Teak)
UPPER REAR	<input type="checkbox"/> Solid upper back panel	
SHELF PRODUCT RETAINER	<input type="checkbox"/> Front & side product retainers	
SHELVING	<input type="checkbox"/> Painted (Traffic Gray Textured) shelves (3) 19"D, (3) 21"D & (3) 23"D	

Applications

- Upright multi-shelf self-service wedge merchandiser for non-refrigerated packaged bakery items.

Bread 78" Half Side Bread Module - Portico Teak - Bakery Of The Future

Model	L x D x H (Lengths include end panels)
SHS7854.7981	78"L x 32-3/4"D x 59"H



IMPORTANT NOTES:

WARNING

This product can expose you to chemicals including Urethane (Ethyl Carbamate), which are known to the State of California to cause cancer and birth defects or other reproductive harm. For more information go to www.P65Warnings.ca.gov.

INTENDED ENVIRONMENT

Designed to operate in ambient conditions of 75°F with 55% relative humidity.

WARMEST AVG PRODUCT TEMP

Zone	Temp (°F)
1	Ambient

INTENDED USE OF DISPLAY AREAS

Zone	Intended Use
1	Packaged non-refrigerated products

For more information on any of our products or services please visit us on the web at:

www.structuralconcepts.com

INFORMATION IS SUBJECT TO CHANGE WITHOUT NOTICE. Visit www.structuralconcepts.com for the most current specs.