

Bread - HMO Combination Non-Refrigerated Shelving Above Refrigerated Self-Service Case For Pizza

Models

HMO2665R.5668



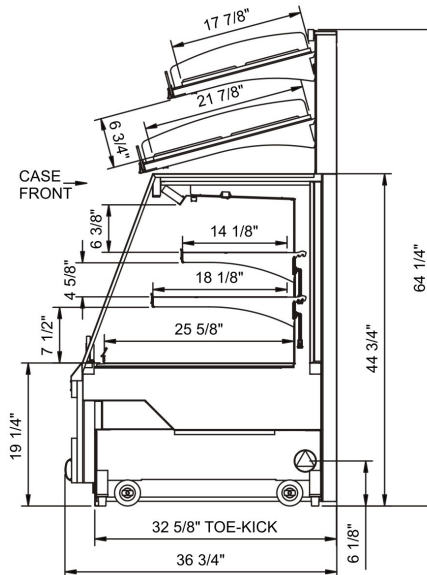
Features	Standard	Options
EXTERIOR COLOR	<input type="checkbox"/> Laminated (Caramel Sagawood)	
INTERIOR COLOR	<input type="checkbox"/> Stainless steel	
TRIM COLOR	<input type="checkbox"/> Stainless steel	
BASE SUPPORT	<input type="checkbox"/> Levelers	
BUMPER	<input type="checkbox"/> 3" bumper on front (Brown)	<input type="checkbox"/> 3" bumper on front & ends (Brown) <input type="checkbox"/> 3" bumper on front & left end (Brown) <input type="checkbox"/> 3" bumper on front & right end (Brown)
END PANELS	<input type="checkbox"/> Full end panel	
LOWER FRONT PANEL	<input type="checkbox"/> Flat front panel	
TOE KICK	<input type="checkbox"/> Toe kick, black	
UPPER FRONT	<input type="checkbox"/> Open reach-in front	
UPPER REAR	<input type="checkbox"/> Solid upper back panel	
LOWER REFRIGERATED DISPLAY	<input type="checkbox"/> (2) levels of shelves	
UPPER NON-REFRIGERATED DISPLAY	<input type="checkbox"/> (2) levels of shelves	
LIGHTS	<input type="checkbox"/> LED top & shelf lights	
ELECTRICAL CONNECT	<input type="checkbox"/> Leads	
FAN MOTORS	<input type="checkbox"/> Energy efficient evaporator fans	
REFRIGERATION	<input type="checkbox"/> Breeze™ w/EnergyWise s/c refrigeration (front pull-out)	

Applications

- Low profile self-service merchandiser with upper shelving

Bread HMO Combination Non-Refrigerated Shelving Above Refrigerated Self-Service Case For Pizza

Model	L x D x H (Lengths include end panels)
HMO2665R.5668	26-3/4" L x 36-3/4" D x 64-1/4" H



IMPORTANT NOTES:

- 1) Units are supplied with levelers which need to be adjusted during installation to ensure the unit is level and plumb.
- 2) Dimensions reflect levelers extended 1-1/4".
- 3) Compressor air front intake, rear discharge. Toe kick cannot be blocked.

INTENDED ENVIRONMENT

Designed to operate in ambient conditions of 75°F with 55% relative humidity.

WARMEST AVG PRODUCT TEMP

Zone	Temp (°F)
1	Ambient
2	38

INTENDED USE OF DISPLAY AREAS

Zone	Intended Use
1	Packaged non-refrigerated products
2	Packaged refrigerated products

For more information on any of our products or services please visit us on the web at:

www.structuralconcepts.com

INFORMATION IS SUBJECT TO CHANGE WITHOUT NOTICE. Visit www.structuralconcepts.com for the most current specs.



888 E. Porter Rd. Muskegon, MI 49441

231-798-8888

Revised 2/26/2018