

# Bread - HMO Combination Non-Refrigerated Shelving Above Refrigerated Self-Service Case For Pizza

## Models

HMO2665R.7819



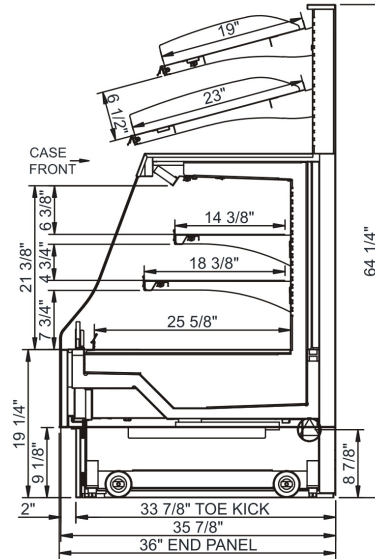
Features	Standard	Options
<b>EXTERIOR COLOR</b>	<input type="checkbox"/> Laminated (Huntington Maple)	<input type="checkbox"/> Laminated (Portico Teak)
<b>INTERIOR COLOR</b>	<input type="checkbox"/> Painted (Caramel Sagawood), Textured	<input type="checkbox"/> Painted (Bronze Pearlescent)
<b>TRIM COLOR</b>	<input type="checkbox"/> Stainless steel	<input type="checkbox"/> Painted
<b>BASE SUPPORT</b>	<input type="checkbox"/> Levelers	
<b>BUMPER</b>	<input type="checkbox"/> Rail bumper on upper front panel	<input type="checkbox"/> 1" bumper on ends
<b>END PANELS</b>	<input type="checkbox"/> Full end panel	
<b>LOWER FRONT PANEL</b>	<input type="checkbox"/> Flat front panel	
<b>TOE KICK</b>	<input type="checkbox"/> Toe kick, black	<input type="checkbox"/> Toe kick, Bronze Pearlescent
<b>UPPER FRONT</b>	<input type="checkbox"/> Open reach-in front	
<b>UPPER REAR</b>	<input type="checkbox"/> Solid upper back panel	
<b>LOWER REFRIGERATED DISPLAY</b>	<input type="checkbox"/> (2) levels of shelves	
<b>UPPER NON-REFRIGERATED DISPLAY</b>	<input type="checkbox"/> (2) levels of shelves	
<b>LIGHTS</b>	<input type="checkbox"/> LED top & shelf lights	
<b>ELECTRICAL CONNECT</b>	<input type="checkbox"/> Leads	
<b>FAN MOTORS</b>	<input type="checkbox"/> Energy efficient evaporator fans	
<b>REFRIGERATION</b>	<input type="checkbox"/> Breeze w/EnergyWise s/c refrigeration (front pull-out)	

## Applications

- Low profile self-service merchandiser with upper shelving

# Bread HMO Combination Non-Refrigerated Shelving Above Refrigerated Self-Service Case For Pizza

Model	L x D x H (Lengths include end panels)
HMO2665R.7819	27"L x 36"D x 64-1/4"H



## IMPORTANT NOTES:

- 1) Units are supplied with levelers which need to be adjusted during installation to ensure the unit is level and plumb.
- 2) Dimensions reflect levelers extended 1-1/4".
- 3) Compressor air front intake, rear discharge. Toe kick cannot be blocked.

## ⚠️ WARNING

This product can expose you to chemicals including Urethane (Ethyl Carbamate), which are known to the State of California to cause cancer and birth defects or other reproductive harm. For more information go to [www.P65Warnings.ca.gov](http://www.P65Warnings.ca.gov).

## INTENDED ENVIRONMENT

Designed to operate in ambient conditions of 75°F with 55% relative humidity.

## WARMEST AVG PRODUCT TEMP

Zone	Temp (°F)
1	Ambient
2	38

## INTENDED USE OF DISPLAY AREAS

Zone	Intended Use
1	Packaged non-refrigerated products
2	Packaged refrigerated products

For more information on any of our products or services please visit us on the web at:

[www.structuralconcepts.com](http://www.structuralconcepts.com)

INFORMATION IS SUBJECT TO CHANGE WITHOUT NOTICE. Visit [www.structuralconcepts.com](http://www.structuralconcepts.com) for the most current specs.

