

# Fusion

GMSSV 52"H Refrigerated Self-Service Case

Structural Concepts®

(Lengths do not include 1-1/8" end panels)

- GMSSV452R 48-3/4"L x 43"D x 51-5/8"H
- GMSSV552R 60-5/8"L x 43"D x 51-5/8"H
- GMSSV652R 73-1/8"L x 43"D x 51-5/8"H
- GMSSV852R 97-1/2"L x 43"D x 51-5/8"H

## Included

- Integrated average product temperature of 40°F or less
- LED top & shelf lights
- One year parts & labor; 5 year compressor warranty
- Remote DX refrigeration
- Stainless steel rear exterior



GMSSV452R

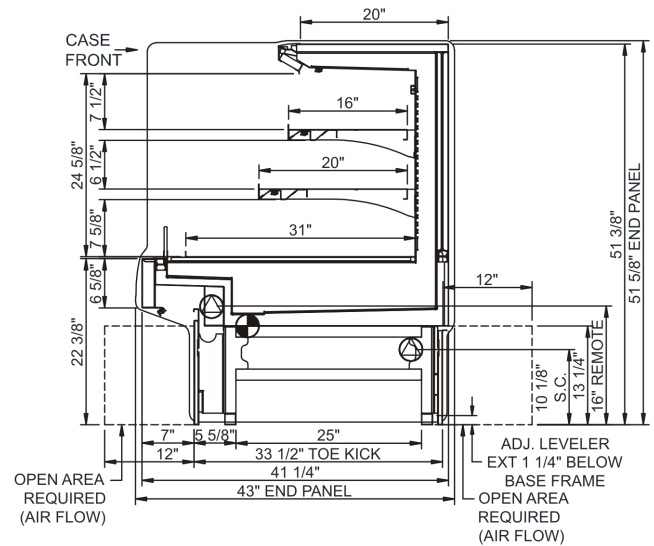
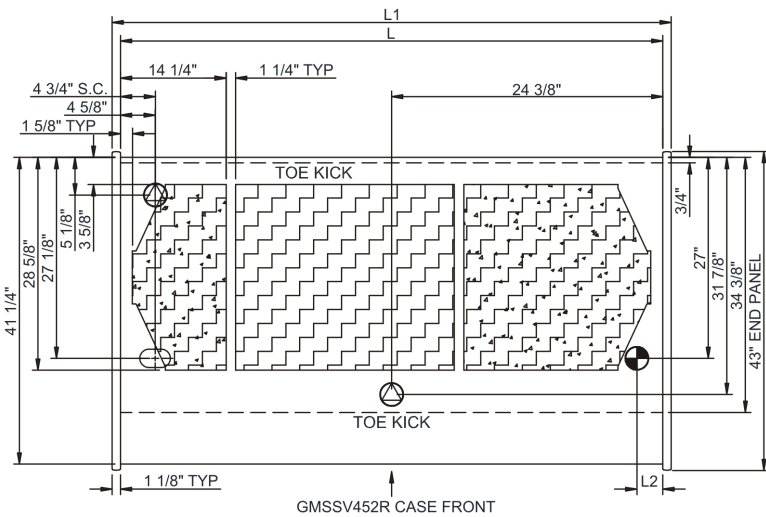
Specify	Standard Features	Additional Options
<b>EXTERIOR COLOR</b>	• Powder coated (stock colors, specify RAL#)	• Laminate - Standard colors • Stainless steel
<b>INTERIOR COLOR</b>	• Black powder coated	• Stainless steel
<b>LOWER FRONT PANEL COLOR</b>	• Black powder coated	• Stainless steel
<b>TRIM COLOR</b>	• Black	• Silver
<b>BASE</b>	• Rail system for shims (n/a w/ s/c ref.)	• Casters w/ levelers (self-cont.)
<b>BUMPER FRONT</b>	• 1" Boston bumper (specify color)	• 1" Stainless steel plate rail bumper
<b>END PANELS</b>	• None (specify per line-up)	• Cutaway w/ glass (LH / RH) • End bumper (LH / RH) • Full w/stainless steel interior (LH / RH)
<b>SCALE STAND</b>	• None	<sup>1</sup> • Scale stand w/ receptacle & CAT5 (specify location) <sup>2</sup> • Scale stand w/ receptacle (specify location)
<b>UPPER REAR</b>	• Solid back panel	• Solid rear swinging doors
<b>PRICE TAG MOLDING</b>	• None	• 1" Price tag molding (black or silver) • Universal price tag molding (clear w/ open top)
<b>SHELVING</b>	• 16" & 20" Solid shelving	• 16" & 20" Glass shelving
<b>LIGHTS</b>	• LED 3500K w/ frosted lens	• LED 4000K w/ frosted lens
<b>ELECTRICAL CONNECT</b>	• Electrical leads (remote)	• 6' Locking power cord (self-cont.) • 6' Straight blade power cord (self-cont.)
<b>REFRIGERATION</b>	• Remote DX refrigeration	• Breeze w/EnergyWise s/c refrigeration • Remote w/thermostat, solenoid & TXV
<b>SENSOR</b>	• None	• CPC discharge air sensor (remote) • Danfoss discharge air sensor (remote)
<b>MISCELLANEOUS</b>		• Rear door lock
<b>ACCESSORIES</b>		• Clean Sweep® coil cleaner (n/a w/remote) • Drain strainer • Night curtain, retractable, non-locking • Removable wire security cover, locking

Option Notes: 1 - Separate circuit required  
2 - Separate circuit required

<b>Intended Environment:</b> Type I - Designed to operate in ambient conditions of 75°F with 55% relative humidity unless noted otherwise in system information below.		
<b>Zone</b>	<b>Intended Product To Be Displayed</b>	<b>Warmest Avg Prod Temp ° F</b>
1	Packaged refrigerated products	40

**PLAN VIEW**

**SIDE VIEW**



**NOTE: ALL DIMENSIONS APPROXIMATE**

- ELECTRICAL JUNCTION BOX (SUPPLIED WITH 6" LEADS OR POWER CORD).
- REFRIGERATION LINE CONNECTION.
- SELF-CONTAINED CASE SERVICE ACCESS AREA.
- LOCATION OF DRAIN TUBE FOR REMOTE REF. ONLY (SUPPLIED WITH 3/4" OR 1 1/2" PVC TUBE).
- REMOTE FLOOR SINK & UTILITIES ACCESS AREA.
- DRY CASE SERVICE ACCESS AREA.

Model Technical Specifications																
Model	L"	L1"	L2"	System Circuit Volts		Phs	Freq	Amps ***	Watts	Wires	NEMA Plug	SST	Conv. Rack BTUH	Para. Rack BTUH	Est Wt	
GMSSV452R	48.75	51.00	3.50	Remote(Type I)	Circuit #1	110-120	1	60	1.18	149	2+G	Leads Multiple	3201	2964	1,250	
				Remote(Type I)	Circuit #1	110-120	1	60	1.18	86	2+G	Leads Multiple	20.00	3201		2964
				Self-Contained (R449A)	Circuit #1	110-120	1	60	15.36	1,333	2+G	5-20P or L5-20P	N/A	N/A		N/A
GMSSV552R	60.63	62.88	3.50	Remote(Type I)	Circuit #1	110-120	1	60	1.54	81	2+G	Leads Multiple	24.00	3499	3240	N/A
				Self-Contained (R449A)	Circuit #1	208-240	1	60	9.37	1,770	2+G	6-20P or L6-20P	N/A	N/A	N/A	N/A
GMSSV652R	73.13	75.38	3.50	Remote(Type I)	Circuit #1	110-120	1	60	2.54	131	2+G	Leads Multiple	20.00	5270	4880	N/A
				Self-Contained (R449A)	Circuit #1	208-240	1	60	11.55	2,038	2+G	6-20P or L6-20P	N/A	N/A	N/A	N/A
GMSSV852R	97.50	99.75	3.50	Remote(Type I)	Circuit #1	110-120	1	60	3.03	274	2+G	Leads Multiple	20.00	6847	6340	N/A
				Self-Contained (R449A)	Circuit #1	208-240	1	60	13.36	2,533	2+G	6-20P or L6-20P	N/A	N/A	N/A	N/A

\*\*\* Does not include electric defrost on freezer models.

Regulatory Approvals:	
All Models	Accordance with AHRI Std 1200 ETL Listed to UL 471 ETL Listed to CAN/CSA 22.2 No. 120 ETL Sanitation to NSF/ANSI 7

**Important Notes:**

- 1) ELECTRICAL NOTE: If GFCI is required, a GFCI breaker MUST be used in lieu of a GFCI receptacle
- 2) 45" minimum door entry clearance required (without shipping skid).
- 3) Units must be shimmed during installation to ensure the unit is level and plumb.

**⚠ WARNING:** This product can expose you to chemicals, including Urethane (Ethyl Carbamate), which are known to the State of California to cause cancer and birth defects or other reproductive harm. For more information go to [www.P65Warnings.ca.gov](http://www.P65Warnings.ca.gov).

