

## Fusion - GJDSS Refrigerated Self-Service Case

DIMENSIONS / SHIPPING				
Model	L"	L1"	L2"	Est Wt (lbs)
GJDSS4RLB	48.750	51.000	3.500	N/A
GJDSS5RLB	60.625	62.875	3.500	N/A
GJDSS6RLB	73.125	75.375	3.500	N/A
GJDSS8RLB	97.500	99.750	3.500	N/A
GJDSS12RLB	146.250	148.500	51.375	N/A

ELECTRICAL															
Model	System Circuit Volts			Ph	Frq	Rated Load Amps	Min Cir Amps	Max OCP Amps	Watts	Wires	NEMA Plug	Amps Lights	Amps Fans	Amps Anti-Sweats	Amps Misc/Refrig/Heat
GJDSS4RLB	Remote(DX)	Circuit #1	110-120	1	60	1.58	15	15	34	2+G	Leads Single	0.70	0.70	0.18	N/A
GJDSS5RLB	Remote(DX)	Circuit #1	110-120	1	60	1.63	15	15	43	2+G	Leads Single	0.70	0.70	0.23	N/A
GJDSS6RLB	Remote(DX)	Circuit #1	110-120	1	60	1.69	15	15	53	2+G	Leads Multiple	0.70	0.70	0.29	N/A
GJDSS8RLB	Remote(DX)-Type I Env	Circuit #1	110-120	1	60	1.76	15	15	66	2+G	Leads Multiple	0.70	0.70	0.36	N/A
GJDSS12RLB	Remote(DX)-Type I Env	Circuit #1	110-120	1	60	1.95	15	15	99	2+G	Leads Multiple	0.70	0.70	0.55	N/A
	Remote(R744 T)-Type I Env	Circuit #1	110-120	1	60	1.95	15	15	99	2+G	Leads Multiple	0.70	0.70	0.55	N/A

REFRIGERATION													
Model	Zone	Section	System	Envt	REMOTE REFRIGERATION					GLYCOL / R744 REFRIGERATION			
					SST (°F)	Conv. Rack BTUH	Para. Rack BTUH	Defrost Interval (Hrs)	Defrost Duration	Total GPM	Pressure Drop (psi)	Concent (%)	Liquid Temp (°F)
GJDSS4RLB	All	Refrigerator	Remote-DX	Type I	20	1,080	1,000	4.00	25.00	N/A	N/A	N/A	N/A
GJDSS5RLB	All	Main	Remote-DX	Type I	20	1,231	1,140	4.00	25.00	N/A	N/A	N/A	N/A
GJDSS6RLB	All	Main	Remote-DX	Type I	20	1,382	1,280	4.00	25.00	N/A	N/A	N/A	N/A
GJDSS8RLB	All	Refrigerator	Remote-DX-Type I Env	Type I	20	2,160	2,000	4.00	25.00	N/A	N/A	N/A	N/A
GJDSS12RLB	All	Refrigerator	Remote-DX-Type I Env	Type I	20	3,197	2,960	4.00	30.00	N/A	N/A	N/A	N/A
	All	Refrigerator	Remote-R744 TRANSCRITICAL-Type I Env	Type I	20	3,197	2,960	4.00	30.00	N/A	N/A	N/A	N/A

INTENDED ENVIRONMENT		
Type I - Designed to operate in ambient conditions of 75°F with 55% relative humidity unless noted otherwise under Envt above.		
WARMEST AVERAGE PRODUCT TEMP & INTENDED USE OF ZONES		
Zone	Temp (°F)	Intended Use
1	40	Packaged refrigerated products

IMPORTANT NOTES
1) ELECTRICAL NOTE: If GFCI is required, a GFCI breaker MUST be used in lieu of a GFCI receptacle.
2) Units must be shimmed during installation to ensure the unit is level and plumb.

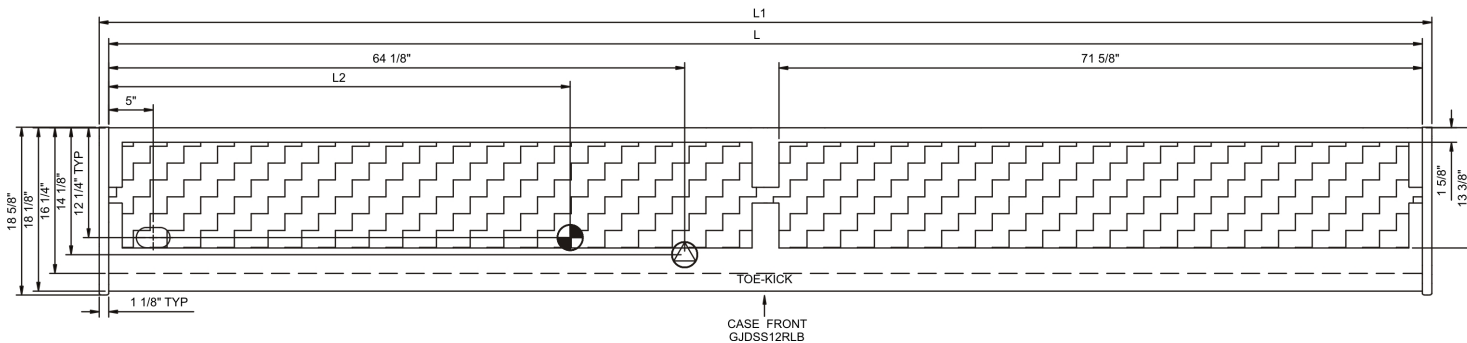
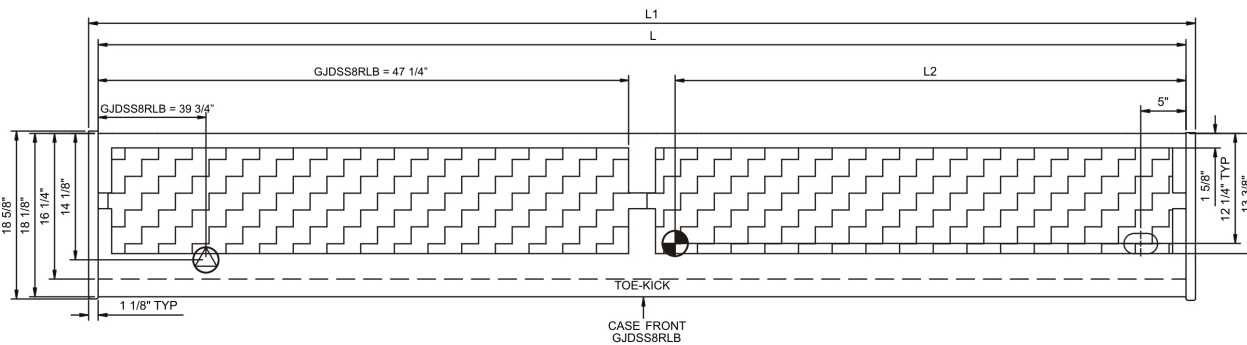
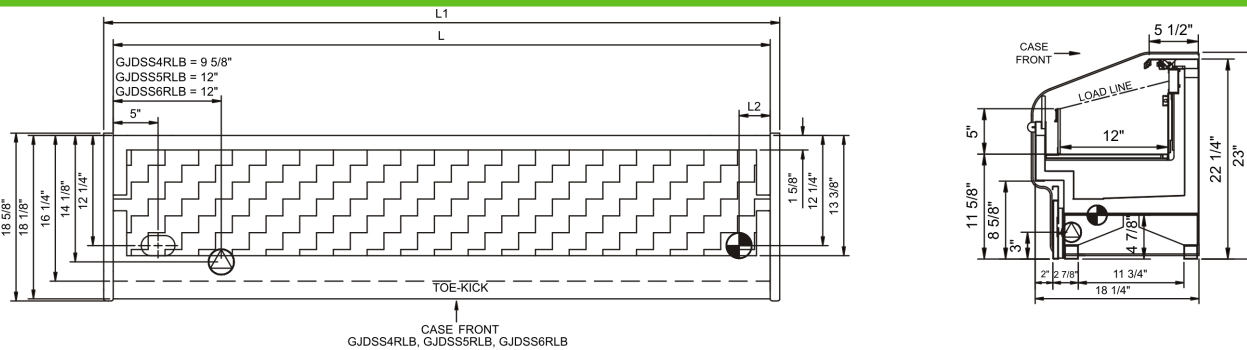
REGULATORY	
All Models	Accordance with AHRI Std 1200 ETL Listed to UL 471 ETL Listed to CAN/CSA 22.2 No. 120 ETL Sanitation to NSF/ANSI 7



In Accordance with  
**AHRI Std 1200**



## Fusion - GJDSS Refrigerated Self-Service Case



NOTE: ALL DIMENSIONS APPROXIMATE

-  ELECTRICAL JUNCTION BOX (SUPPLIED WITH 6" LEADS OR POWER CORD).
-  REFRIGERATION LINE CONNECTION.
-  SELF-CONTAINED CASE SERVICE ACCESS AREA.
-  LOCATION OF DRAIN TUBE FOR REMOTE REF. ONLY (SUPPLIED WITH 3/4" OR 1 1/2" PVC TUBE).
-  REMOTE FLOOR SINK & UTILITIES ACCESS AREA.
-  DRY CASE SERVICE ACCESS AREA.