

Fusion

GHSSV 52"H Refrigerated Self-Service Case

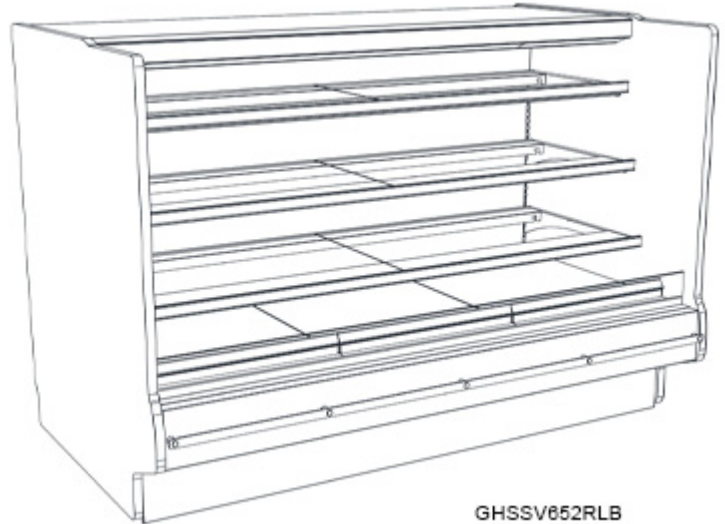
Structural Concepts®

(Lengths do not include 1-1/8" end panels)

- **GHSSV452RLB** 48-3/4"L x 43"D x 51-5/8"H
- **GHSSV552RLB** 60-5/8"L x 43"D x 51-5/8"H
- **GHSSV652RLB** 73-1/8"L x 43"D x 51-5/8"H
- **GHSSV852RLB** 97-1/2"L x 43"D x 51-5/8"H
- **GHSSV1052RLB** 121-1/8"L x 43"D x 51-5/8"H
- **GHSSV1252RLB** 146-1/4"L x 43"D x 51-5/8"H

Included

- Integrated average product temperature of 40°F or less
- LED top & shelf lights
- One year parts & labor warranty
- Remote DX refrigeration
- Stainless steel rear exterior



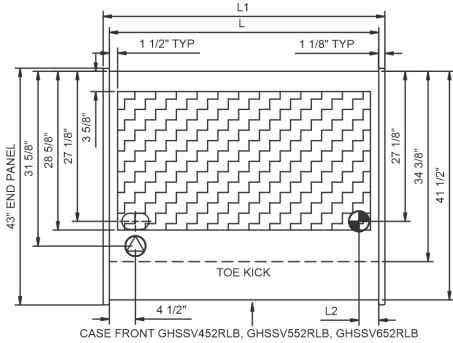
GHSSV652RLB

Specify	Standard Features	Additional Options
EXTERIOR COLOR	• Powder coated (stock colors, specify RAL#)	• Laminate - Standard colors • Stainless steel
INTERIOR COLOR	• Black powder coated	• Stainless steel
LOWER FRONT PANEL COLOR	• Black powder coated	• Stainless steel
TRIM COLOR	• Black	• Silver
BASE	• Rail system for shims	
BUMPER FRONT	• 1" Boston bumper (specify color)	• 1" Stainless steel plate rail bumper
END PANELS	• None (specify per line-up)	• Cutaway w/ glass (LH / RH) • End bumper (LH / RH) • Full w/stainless steel interior (LH / RH)
SCALE STAND	• None	1 • Scale stand w/ receptacle & CAT5 (specify location) • Scale stand w/ receptacle (specify location)
UPPER REAR	• Solid back panel	• Solid rear swinging doors
PRICE TAG MOLDING	• None	• 1" Price tag molding (black or silver) • Universal price tag molding (clear w/ open top)
SHELVING	• 20" & 22" & 24" Solid shelving	• 20" & 22" & 24" Glass shelving
LIGHTS	• LED 3500K w/ frosted lens	• LED 4000K w/ frosted lens
ELECTRICAL CONNECT	• Electrical leads (remote)	
REFRIGERATION	• Remote DX refrigeration	• Remote w/thermostat, solenoid & TXV
SENSOR	• None	• CPC discharge air sensor (remote) • Danfoss discharge air sensor (remote)
MISCELLANEOUS		• Rear door lock
ACCESSORIES		• Drain strainer • Night curtain, retractable, non-locking • Removable wire security cover, locking

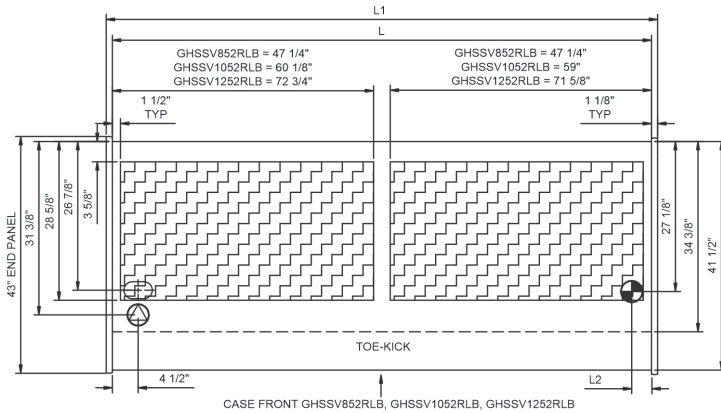
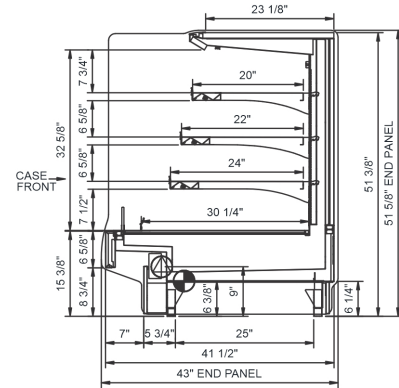
Option Notes: 1 - Separate circuit required

Intended Environment: Type I - Designed to operate in ambient conditions of 75°F with 55% relative humidity unless noted otherwise in system information below.		
Zone	Intended Product To Be Displayed	Warmest Avg Prod Temp ° F
1	Packaged refrigerated products	40

PLAN VIEW



SIDE VIEW



NOTE: ALL DIMENSIONS APPROXIMATE

-  **ELECTRICAL JUNCTION BOX**
(SUPPLIED WITH 6" LEADS OR POWER CORD).
-  **REFRIGERATION LINE CONNECTION.**
-  **SELF-CONTAINED CASE SERVICE ACCESS AREA.**
-  **LOCATION OF DRAIN TUBE FOR REMOTE REF. ONLY**
(SUPPLIED WITH 3/4" OR 1 1/2" PVC TUBE).
-  **REMOTE FLOOR SINK & UTILITIES ACCESS AREA.**
-  **DRY CASE SERVICE ACCESS AREA.**

Model Technical Specifications																
Model	L"	L1"	L2"	System Circuit Volts		Phs	Freq	Amps ***	Watts	Wires	NEMA Plug	SST	Conv. Rack BTUH	Para. Rack BTUH	Est Wt	
																Circuit #1
GHSSV452RLB	48.75	51.00	4.63	Remote(Type I)	Circuit #1	110-120	1	60	1.48	56	2+G	Leads Multiple	20.00	4622	4280	N/A
GHSSV552RLB	60.63	62.88	4.63	Remote(Type I)	Circuit #1	110-120	1	60	2.26	149	2+G	Leads Multiple	20.00	6070	5620	N/A
GHSSV652RLB	73.13	75.38	3.63	Remote(Type I)	Circuit #1	110-120	1	60	1.89	124	2+G	Leads Multiple	20.00	7517	6960	N/A
GHSSV852RLB	97.50	99.75	3.63	Remote(Type I)	Circuit #1	110-120	1	60	2.96	163	2+G	Leads Multiple	20.00	9383	8688	N/A
GHSSV1052RLB	121.13	123.38	4.150	Remote(Type I)	Circuit #1	110-120	1	60	3.07	192	2+G	Leads Multiple	20.00	10368	9600	N/A
GHSSV1252RLB	146.25	148.50	46.13	Remote(Type I)	Circuit #1	110-120	1	60	5.21	375	2+G	Leads Multiple	20.00	13997	12960	N/A

*** Does not include electric defrost on freezer models.

Regulatory Approvals:

All Models
 Accordance with AHRI Std 1200
 ETL Listed to UL 471
 ETL Listed to CAN/CSA 22.2 No. 120
 ETL Sanitation to NSF/ANSI 7



In Accordance with
AHRI Std 1200

DOE 2017
 Energy Efficiency
 Compliant

Important Notes:

- 1) ELECTRICAL NOTE: If GFCI is required, a GFCI breaker MUST be used in lieu of a GFCI receptacle.
- 2) 45" minimum door entry clearance required (without shipping skid).
- 3) Units must be shimmed during installation to ensure the unit is level and plumb.

⚠ WARNING: This product can expose you to chemicals, including Urethane (Ethyl Carbamate), which are known to the State of California to cause cancer and birth defects or other reproductive harm. For more information go to www.P65Warnings.ca.gov.

Note: Information is subject to change at any time. Visit www.structuralconcepts.com for the most current specs.

21873008

Revised 9-12-2022