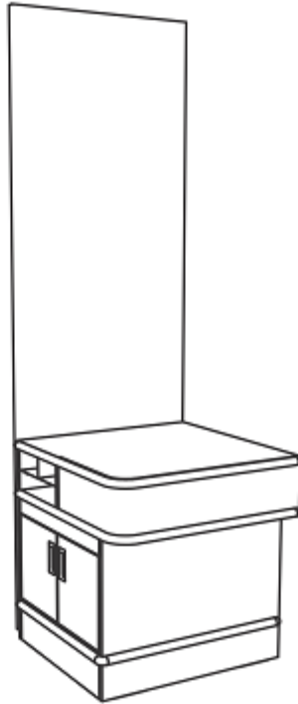


Cake Decorating - Cake Wall Wedding Display

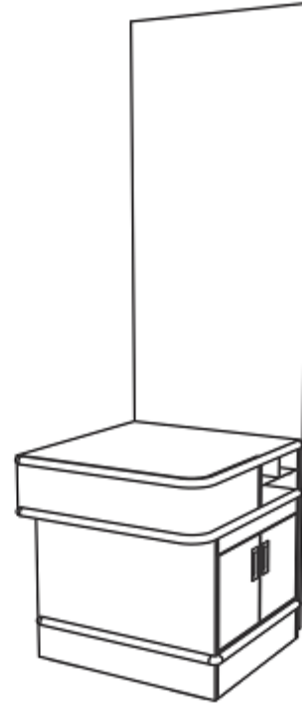
Models

CW30L.7595

CW30R.7595



MODEL SHOWN: 95" TALL CW30L.7595



MODEL SHOWN: 95" TALL CW30R.7595

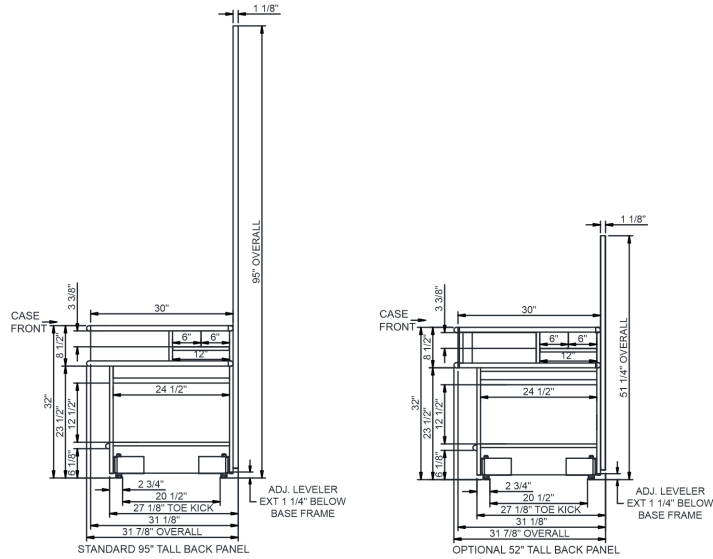
Features	Standard	Options
EXTERIOR COLOR	<input type="checkbox"/> White	<input type="checkbox"/> Laminated (Portico Teak)
INTERIOR COLOR	<input type="checkbox"/> White	<input type="checkbox"/> Painted (Bronze Pearlescent)
BASE FRAME	<input type="checkbox"/> Straight base w/top square corner & lower cabinet storage	
BASE SUPPORT	<input type="checkbox"/> Levelers	
BUMPER	<input type="checkbox"/> 1" bumper (White) (3 levels)	<input type="checkbox"/> 1" bumper on end (#239 Storm Gray) (3 rows)
UPPER REAR	<input type="checkbox"/> 95" Tall solid back panel	<input type="checkbox"/> 52" Tall solid back panel

Applications

- Upright non-refrigerated merchandiser for displaying wedding cake images with lower storage.

Cake Decorating Cake Wall Wedding Display

Model	L x D x H (Lengths include end panels)
CW30L.7595	30"L x 31-7/8"D x 95"H
CW30R.7595	30"L x 31-7/8"D x 95"H



IMPORTANT NOTES:

1) Units are supplied with levelers which must be adjusted during installation to ensure the unit is level and plumb.



WARNING

This product can expose you to chemicals including Urethane (Ethyl Carbamate), which are known to the State of California to cause cancer and birth defects or other reproductive harm. For more information go to www.P65Warnings.ca.gov.

INTENDED ENVIRONMENT

Designed to operate in ambient conditions of 75°F with 55% relative humidity.

WARMEST AVG PRODUCT TEMP

Zone	Temp (°F)
1	Ambient

INTENDED USE OF DISPLAY AREAS

Zone	Intended Use
1	Packaged non-refrigerated products

INFORMATION IS SUBJECT TO CHANGE WITHOUT NOTICE. Visit www.structuralconcepts.com for the most current specs.



888 E. Porter Rd. Muskegon, MI 49441 231-798-8888

For more information on any of our products or services please visit us on the web at:

www.structuralconcepts.com