

Bread - BC Non-Refrigerated Bagel/Roll Insert

Models

BC2527.7819



Features	Standard	Options
EXTERIOR COLOR	<input type="checkbox"/> Stainless steel	
INTERIOR COLOR	<input type="checkbox"/> Stainless steel	
TRIM COLOR	<input type="checkbox"/> Silver	
END PANELS	<input type="checkbox"/> Glass end	
FRONT DOORS	<input type="checkbox"/> Clear glass swinging door (self-closing)	
HEADER	<input type="checkbox"/> Flat	
UPPER REAR	<input type="checkbox"/> Solid upper back panel	
LIGHTS	<input type="checkbox"/> LED top & shelf lights	
MISCELLANEOUS	<input type="checkbox"/> Tongs & tong holders	

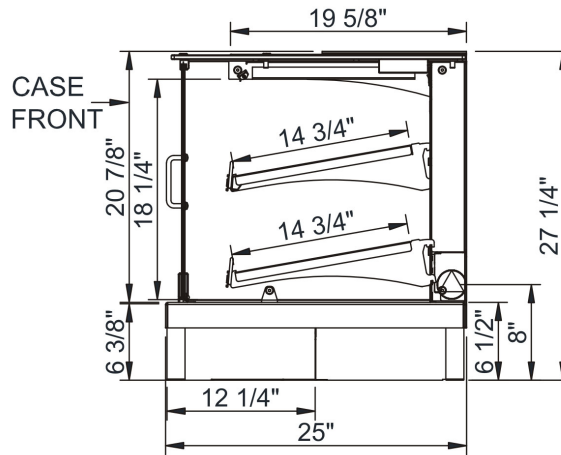
Applications

- Upright self-service non-refrigerated merchandiser for bagels.

Bread BC Non-Refrigerated Bagel/Roll Insert

27"H - 2 SHELF MODEL

Model	L x D x H (Lengths include end panels)
BC2527.7819	25"L x 25"D x 27-1/4"H



IMPORTANT NOTES:

1) Units are supplied with levelers which must be adjusted during installation to ensure the unit is level and plumb.

WARNING

This product can expose you to chemicals including Urethane (Ethyl Carbamate), which are known to the State of California to cause cancer and birth defects or other reproductive harm. For more information go to www.P65Warnings.ca.gov.

INTENDED ENVIRONMENT

Designed to operate in ambient conditions of 75°F with 55% relative humidity.

WARMEST AVG PRODUCT TEMP

Zone	Temp (°F)
1	Ambient

INTENDED USE OF DISPLAY AREAS

Zone	Intended Use
1	Unpackaged non-refrigerated products

For more information on any of our products or services please visit us on the web at:

www.structuralconcepts.com

INFORMATION IS SUBJECT TO CHANGE WITHOUT NOTICE. Visit www.structuralconcepts.com for the most current specs.



888 E. Porter Rd. Muskegon, MI 49441

231-798-8888