

Bread - BC Non-Refrigerated Bagel/Roll Case - Portico Teak/BZP

Models

BC2665.7683



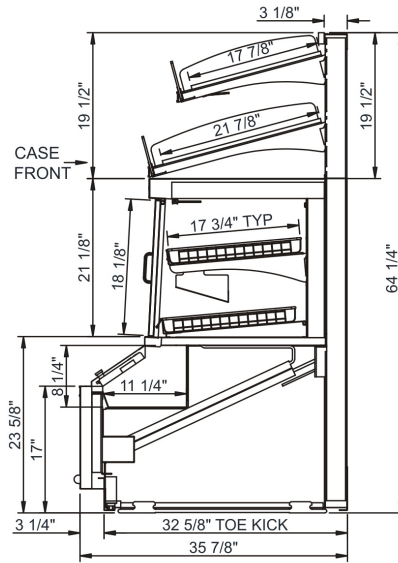
Features	Standard	Options
EXTERIOR COLOR	<input type="checkbox"/> Laminated (Portico Teak)	
INTERIOR COLOR	<input type="checkbox"/> Painted (Bronze Pearlescent)	
TRIM COLOR	<input type="checkbox"/> Silver	
BASE	<input type="checkbox"/> Straight base	
BASE SUPPORT	<input type="checkbox"/> Levelers	
BUMPER	<input type="checkbox"/> 1" bumper on front (#239 Storm Gray)	
END PANELS	<input type="checkbox"/> Full w/stainless steel interior	
FRONT DOORS	<input type="checkbox"/> Clear glass swinging doors (self-closing)	
HEADER	<input type="checkbox"/> Flat	
UPPER REAR	<input type="checkbox"/> Solid upper back panel	
BASKETS	<input type="checkbox"/> Wire baskets w/liners (2)	
LIGHTS	<input type="checkbox"/> LED top & shelf lights	
MISCELLANEOUS	<input type="checkbox"/> Tongs & tong holders	

Applications

- Upright self-service non-refrigerated merchandiser for bagels & cream cheese.

Bread BC Non-Refrigerated Bagel/Roll Case - Portico Teak/BZP

Model	L x D x H (Lengths include end panels)
BC2665.7683*	27"L x 35-7/8"D x 64-1/4"H



IMPORTANT NOTES:

- Units are supplied with levelers which must be adjusted during installation to ensure the unit is level and plumb.

WARNING

This product can expose you to chemicals including Urethane (Ethyl Carbamate), which are known to the State of California to cause cancer and birth defects or other reproductive harm. For more information go to www.P65Warnings.ca.gov.

INTENDED ENVIRONMENT

Designed to operate in ambient conditions of 75°F with 55% relative humidity.

WARMEST AVG PRODUCT TEMP

Zone	Temp (°F)
1	Ambient

INTENDED USE OF DISPLAY AREAS

Zone	Intended Use
1	Unpackaged non-refrigerated products

* Additional lead-time required
 INFORMATION IS SUBJECT TO CHANGE WITHOUT NOTICE. Visit www.structuralconcepts.com for the most current specs.