

# Cake Decorating - 54" Cake Book Table With Upper Decorative Header - Bakery Of The Future

## Models

SHC5454A.7981



| Features            | Standard   | Options |
|---------------------|--|---------|
| <b>BASE FRAME</b>   | <input type="checkbox"/> Painted (Traffic Gray Textured) |         |
| <b>BASE SUPPORT</b> | <input type="checkbox"/> Levelers                        |         |
| <b>HEADER</b>       | <input type="checkbox"/> Decorative header               |         |
| <b>TOP</b>          | <input type="checkbox"/> Solid surface (specify color)   |         |

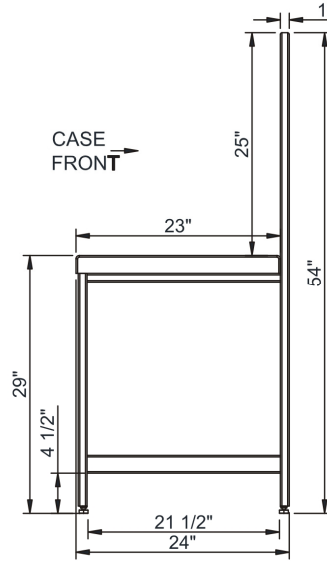
## Applications

- Bakery service non-refrigerated counter

# Cake Decorating 54" Cake Book Table With Upper Decorative Header - Bakery Of The Future

| Model         | L x D x H          |
|---------------|--------------------|
| SHC5454A.7981 | 54"L x 24"D x 54"H |

*Lengths do not include end panels*



## IMPORTANT NOTES:

- Units are supplied with levelers which must be adjusted during installation to ensure the unit is level and plumb.

### WARNING

This product can expose you to chemicals including Urethane (Ethyl Carbamate), which are known to the State of California to cause cancer and birth defects or other reproductive harm. For more information go to [www.P65Warnings.ca.gov](http://www.P65Warnings.ca.gov).

## INTENDED ENVIRONMENT

Designed to operate in ambient conditions of 75°F with 55% relative humidity.

## WARMEST AVG PRODUCT TEMP

| Zone | Temp (°F) |
|------|-----------|
| 1    | Ambient   |

## INTENDED USE OF DISPLAY AREAS

| Zone | Intended Use                       |
|------|------------------------------------|
| 1    | Packaged non-refrigerated products |

For more information on any of our products or services please visit us on the web at:

[www.structuralconcepts.com](http://www.structuralconcepts.com)

INFORMATION IS SUBJECT TO CHANGE WITHOUT NOTICE. Visit [www.structuralconcepts.com](http://www.structuralconcepts.com) for the most current specs.